

Model: D3DC-1000

Data

Type: Semi-hermetic piston compressors

Producer: Copeland

Series: DISCUS

Model: D3DC-1000

Technical data

Cylinder count:	3
Displacement [m ³ /h]:	38
Weight [kg]:	175
Oil charge [dm ³]:	3,4
Max. operating current [A]:	21,3
Locked rotor current [A]:	121
Power supply [V/~/Hz]:	380-420V/3/50Hz

Connections

	<u>milimeters</u>	<u>inches</u>
Suction line:		1 3/8"
Discharge line:		1 1/8"

Model: D3DC-1000

Capacity

R22

Cooling capacity [kW]

$t_c \setminus t_e$	-25	-20	-15	-10	-5	0	5	10
30	11.32	14.78	18.79	23.43	28.78	34.91	41.90	49.83
35	10.29	13.63	17.47	21.91	27.02	32.88	39.56	47.15
40	9.30	12.50	16.18	20.41	25.28	30.86	37.22	44.45
45	-	11.41	14.92	18.94	23.56	28.85	34.89	41.77
50	-	10.38	13.70	17.51	21.87	26.87	32.59	39.10
55	-	-	12.55	16.13	20.23	24.94	30.32	36.46
60	-	-	11.47	14.82	18.66	23.06	28.10	33.87

Power input [kW]

$t_c \setminus t_e$	-25	-20	-15	-10	-5	0	5	10
30	4.86	5.32	5.72	6.02	6.21	6.27	6.17	5.89
35	5.05	5.59	6.08	6.49	6.80	6.98	7.03	6.90
40	5.24	5.85	6.42	6.93	7.35	7.66	7.84	7.87
45	-	6.09	6.74	7.34	7.87	8.30	8.61	8.79
50	-	6.33	7.06	7.74	8.37	8.92	9.36	9.67
55	-	-	7.37	8.13	8.86	9.51	10.08	10.53
60	-	-	7.67	8.52	9.33	10.09	10.77	11.35

Model: D3DC-1000

Capacity

Current [A]

t_c \ t_e	-25	-20	-15	-10	-5	0	5	10
30	10.39	11.06	11.64	12.09	12.38	12.47	12.31	11.89
35	10.67	11.46	12.18	12.79	13.25	13.53	13.60	13.41
40	10.94	11.84	12.68	13.44	14.08	14.56	14.83	14.88
45	-	12.20	13.17	14.08	14.88	15.54	16.02	16.29
50	-	12.56	13.65	14.69	15.65	16.49	17.17	17.66
55	-	-	14.11	15.29	16.40	17.41	18.28	18.99
60	-	-	14.58	15.88	17.14	18.31	19.37	20.28

Mass flow [kg/s]

t_c \ t_e	-25	-20	-15	-10	-5	0	5	10
30	246.06	317.53	398.58	490.60	594.96	713.03	846.19	995.81
35	232.97	304.30	385.00	476.44	580.00	697.04	828.94	977.07
40	219.89	290.94	371.14	461.84	564.44	680.29	810.78	957.28
45	-	277.80	357.33	447.16	548.64	663.15	792.08	936.78
50	-	265.22	343.94	432.73	532.94	645.97	773.17	915.94
55	-	-	331.32	418.90	517.70	629.08	754.42	895.09
60	-	-	319.80	406.04	503.27	612.86	736.17	874.59

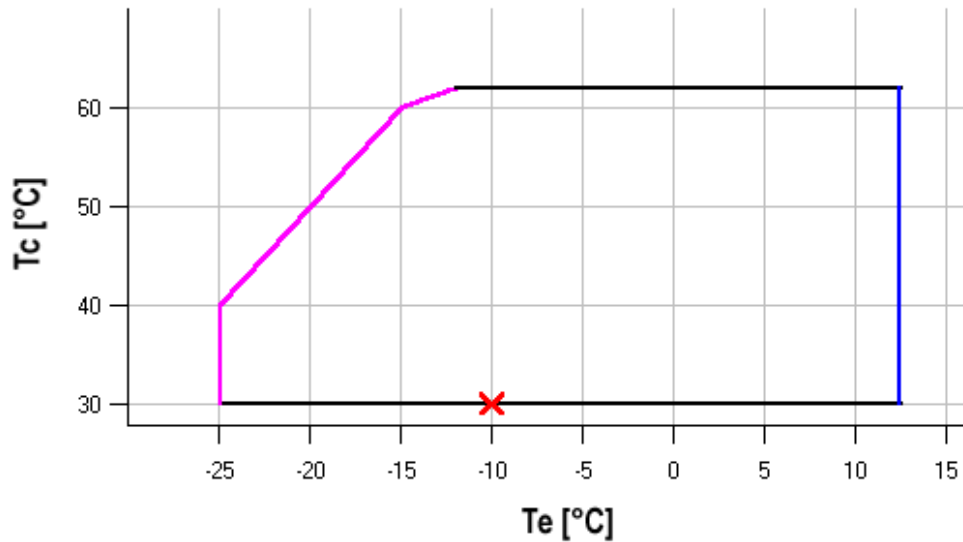
Model: D3DC-1000

Capacity

C.O.P. [W/W]

$t_c \setminus t_e$	-25	-20	-15	-10	-5	0	5	10
30	2.33	2.78	3.29	3.89	4.63	5.57	6.79	8.47
35	2.04	2.44	2.87	3.38	3.98	4.71	5.63	6.83
40	1.78	2.14	2.52	2.95	3.44	4.03	4.75	5.65
45	-	1.87	2.21	2.58	2.99	3.48	4.05	4.75
50	-	1.64	1.94	2.26	2.61	3.01	3.48	4.04
55	-	-	1.70	1.98	2.28	2.62	3.01	3.46
60	-	-	1.49	1.74	2.00	2.28	2.61	2.98

Application range

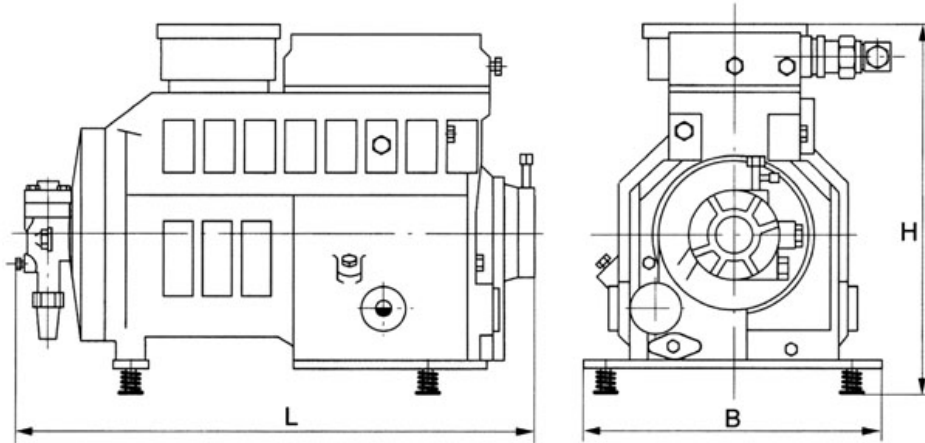


- Maximum evaporating temperature
- 25°C suction gas return

Operating conditions: ISO; subcooling: 0 K, suction superheat: 10 K, return gas temperature: -
 t_c - Condensing temperature [°C]
 t_e - Evaporating temperature [°C]

Model: D3DC-1000

Dimensions



L	680 mm
B	370 mm
H	480 mm

Model: D3DC-1000

Image

